

LPS-1300 POWER SUPPLY

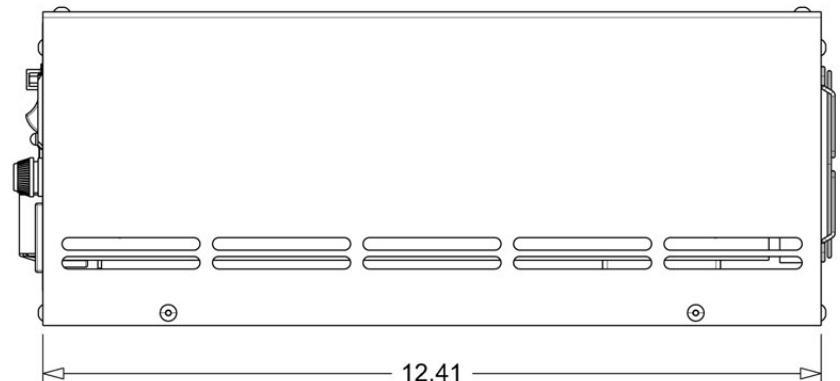
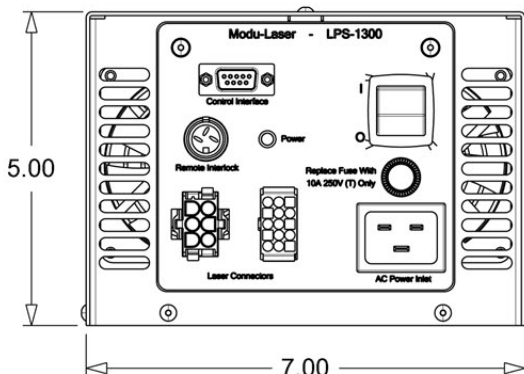
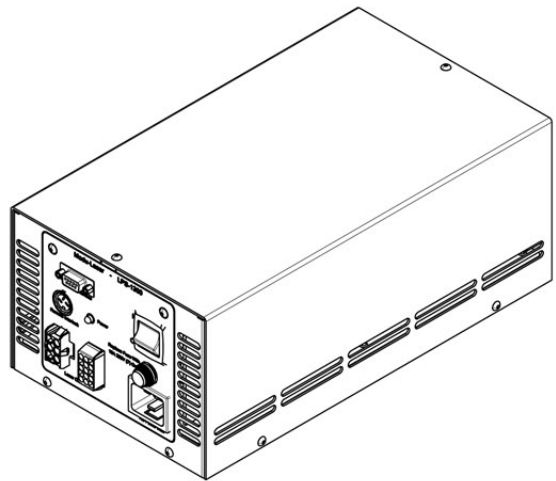
Argon Laser Head Power Supply

The LPS-1300 Power Supply is a 1300 Watt power supply designed to operate the Aries-163 and the Aries-2211 laser heads. This power supply incorporates state-of-the-art technology to provide quiet and efficient operation. The LPS-1300 power supply maintains fixed cathode, rail and fan voltage levels for optimal laser head performance. In addition, the LPS-1300 power supply utilizes a Universal AC Input Power Factor Correction (PFC) topology allowing it to be operated from any standard AC Mains power source. The LPS-1300 power supply is used with the RC-1300 laser controller.



Specifications

AC Mains Voltage	100VAC - 265VAC
Maximum Power Consumption	1300 Watt
Laser Tube Drive Voltage	100VDC - 140VDC
Minimum Tube Current	4.0A
Maximum Tube Current	9.0A
Laser Head Fan Voltage	24VDC +/- 1VDC
Laser Head Fan Current (Max.)	2.5A (Max.)



All Dimensions are in Inches

Modu-Laser, LLC

1258 W. 50 S., Centerville, Utah 84014

Phone: 801-983-2682 Fax: 801-299-2682

e-mail: info@modu-laser.com web: www.modu-laser.com

Specifications are subject to change without notice.

